

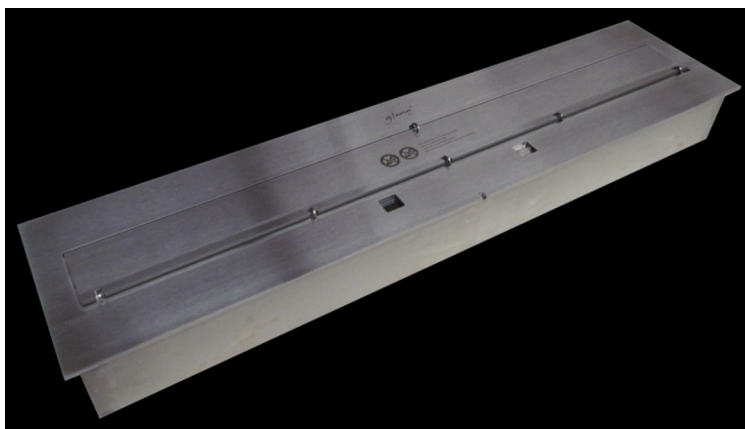
# Burners

GlammFire

## Burner V

Material//

Burner V / stainless steel



Fully made from stainless steel, our bioethanol burners have a contemporary design and outstanding manufacturing quality.

The resistance and safety of the materials reinforce their excellent versatility as pieces of high functional and decorative nature.

Burner V is more and more becoming part of projects by architects, and interior designers.

Dimensions// 101 h x 950 w x 220 d mm

Weight// 25 kg (10L)

Accessories// Key, Lighter, Funnel, Container/measuring jug

Optional Accessories // Bioethanol Jug (5 litres)

Packing Dimensions// 330 h x 1605 w x 350 d mm

Total Weight// 48 kg (10L)

4,3 Kg/ Bioethanol Jug (5 litres)

Capacity// 10 litres (liquid bioethanol)

Power// 6,5 kW

Burning time// 1 litre/ h

### GlammFire

Glammfire, Lda.  
Zona Industrial da Lagoa, Lote G1  
4950-850 CORTES - MONÇÃO  
PORTUGAL

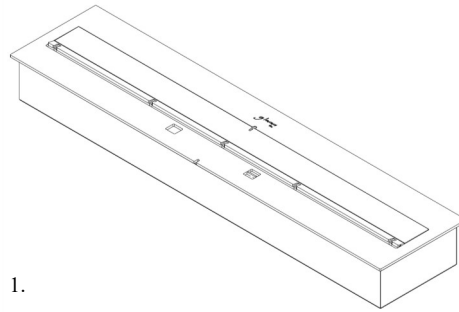
Tel(+351) 251 654 800  
Fax(+351) 251 654 801  
info@glammfire.com  
www.glammfire.com

*glamm*  
fire

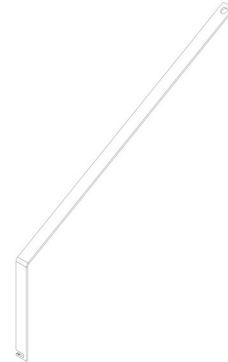
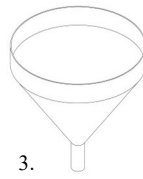
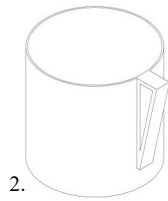
GlammFire

# Burner V

## Material Supplied

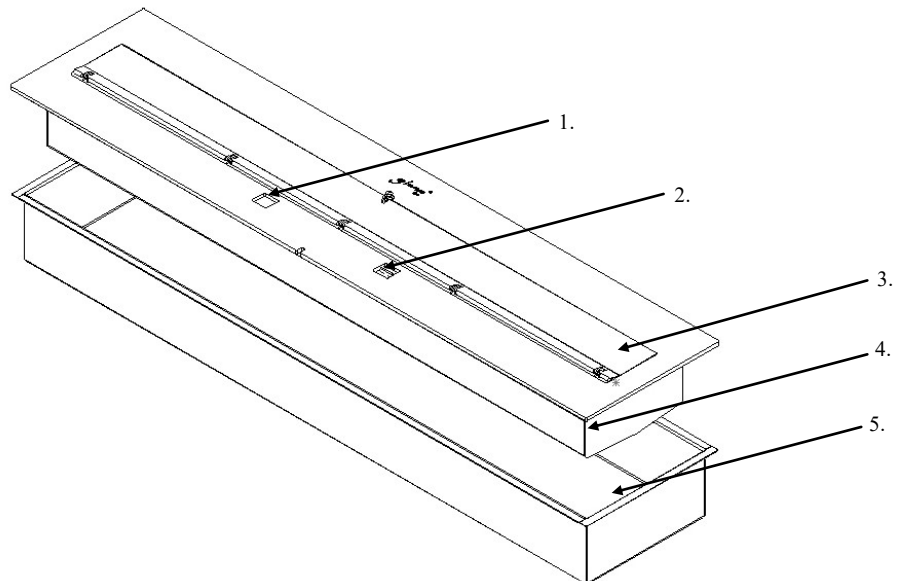


1. Burner V;
2. Mug;
3. Funnel;
4. Lighter;
5. Key;



## Components

1. Tank Level Indicator;
2. Fuel cover;
3. Cover/Burning zone;
4. Tank;
5. Safety tank;



## GlammFire

Glammfire, Lda.  
Zona Industrial da Lagoa, Lote G1  
4950-850 CORTES - MONÇÃO  
PORTUGAL

Tel(+351) 251 654 800  
Fax(+351) 251 654 801  
info@glammfire.com  
www.glammfire.com

*glamm*  
fire

# Burner V

## Installation

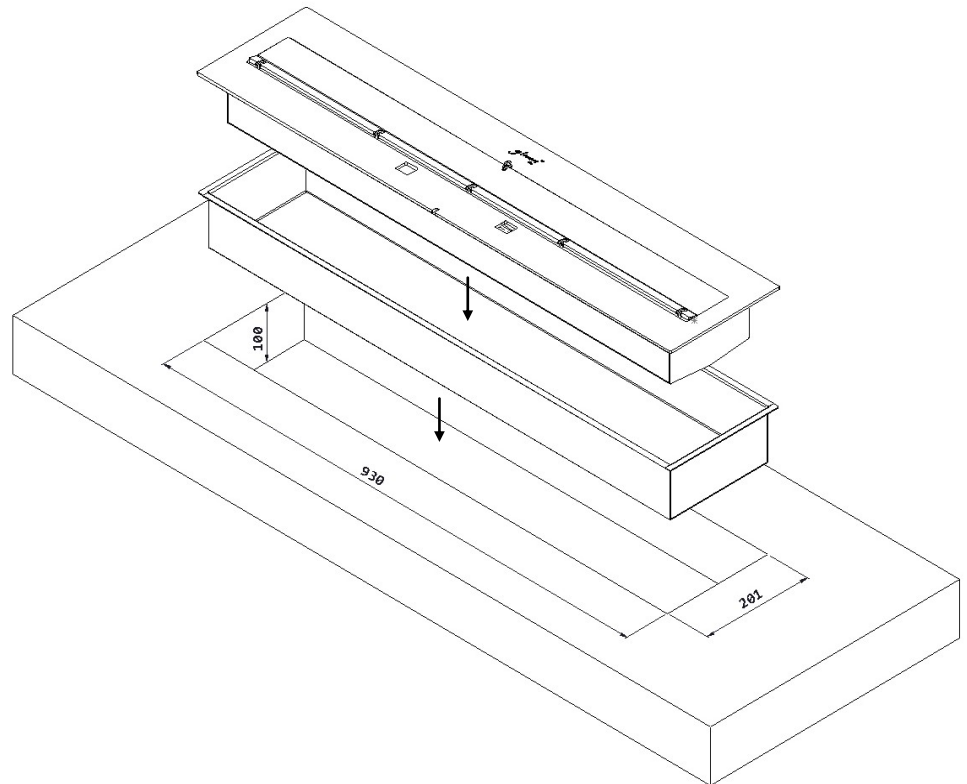
In order to ensure a safety margin with respect to the ground, it is recommended a minimum distance of 400 mm between the floor and the top of the burner;

The surface on you want to install the burner should be as level as possible.

## Dimensions:

Ensure the hole where you want to place the burner has the following minimum dimensions, as shown in the figure below:

- Length: 930 mm;
- Width: 201 mm;
- Depth: 100 mm;



## GlammFire

Glammfire, Lda.  
Zona Industrial da Lagoa, Lote G1  
4950-850 CORTES - MONÇÃO  
PORTUGAL

Tel(+351) 251 654 800  
Fax(+351) 251 654 801  
info@glammfire.com  
www.glammfire.com

# Burner V

## Flammable materials

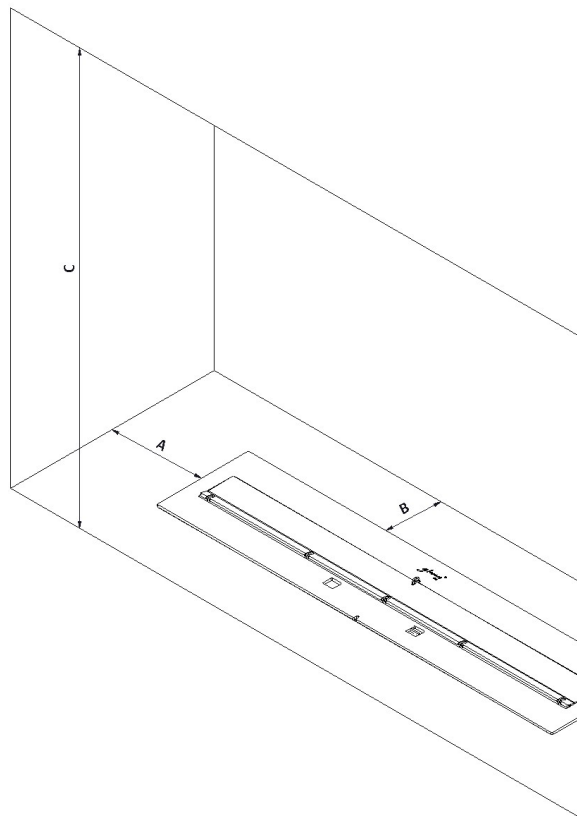
- Do not place flammable materials near the fireplace, within 1 m;
- Racks or shelves should be distant:
  - From fireplaces: 500 mm;
  - From burners: 1 m;

## Materials: stone/metal/ceramics

- A - 100 mm;
- B - 35 mm;
- C - 600 mm;
- Note: if 2 or more burners together the minimal height have to be 700mm

## Other non-flammable materials

- A - 500 mm;
- B - 400 mm;
- C - 1300 mm;



## GlammFire

Glammfire, Lda.  
Zona Industrial da Lagoa, Lote G1  
4950-850 CORTES - MONÇÃO  
PORTUGAL

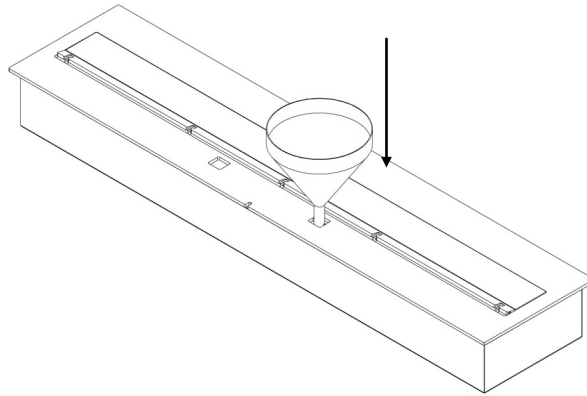
Tel(+351) 251 654 800  
Fax(+351) 251 654 801  
info@glammfire.com  
www.glammfire.com

GlammFire

# Burner V

## Utilization

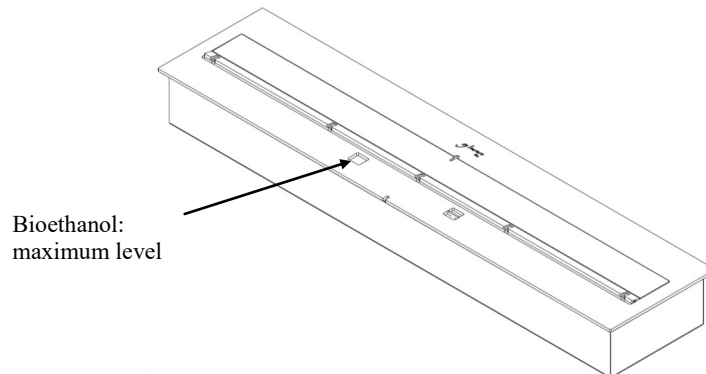
### Fuel Filling



To filling the burner you have to push down the fuel cover. Then you have a small opening to put bioethanol. When you finish the process let it go and the fuel cover closed.

This system is completely safety because only allows insert fuel when the flame goes off.

**NOTE: Minimum charge 5 liters.**



We recommend to all users to fill the burner until the float ball touch the glass window indicated in the Picture.

## Light/Off

### 6.3—Light/Off

After the filling you must open the cover and fan the flame with the light or with the key (moisten the key in the bioethanol and fan the fire with the lighter).

Note: To get a nice flame effect, together with a good consumption, note that the flame will reach its fullness only after 20-25 minutes of operation, approximately.

Considering that the temperature of bioethanol also influences this condition, the above described is only completely possible when it is at 15°C.

To turn off the burner move the cover with the help of the key.

### ADVICES:

- If the flame doesn't erase at first time, repeat the process but with more energy.
- It is recommended to leave the cover closed .

## GlammFire

Glammfire, Lda.  
Zona Industrial da Lagoa, Lote G1  
4950-850 CORTES - MONÇÃO  
PORTUGAL

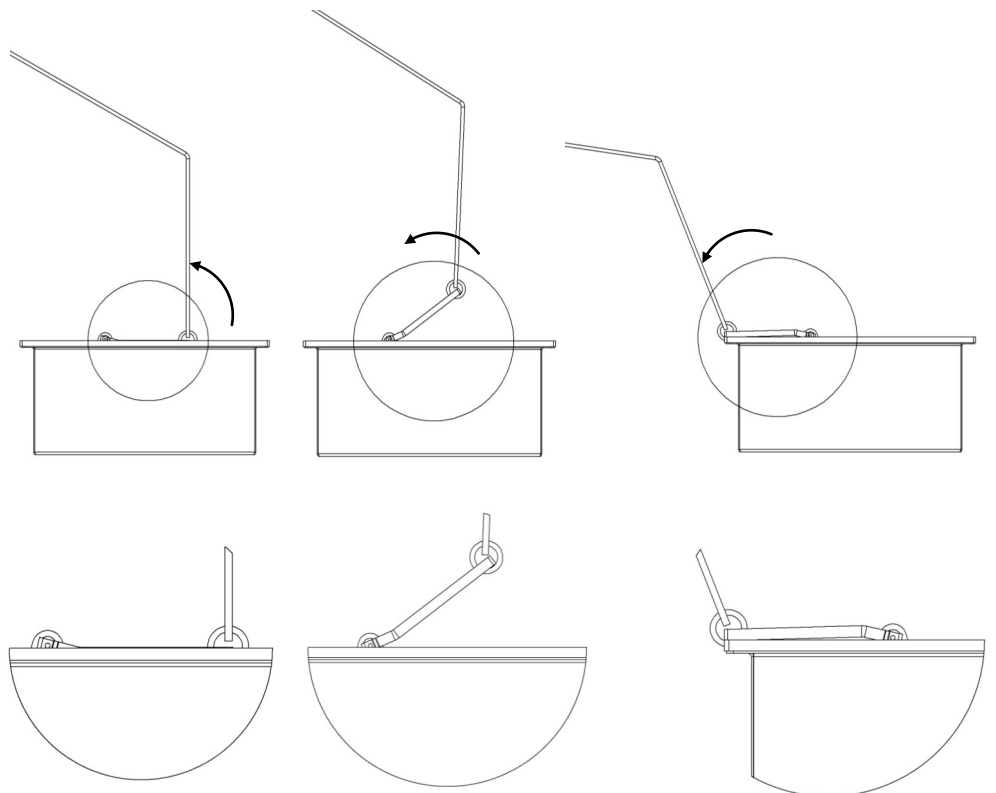
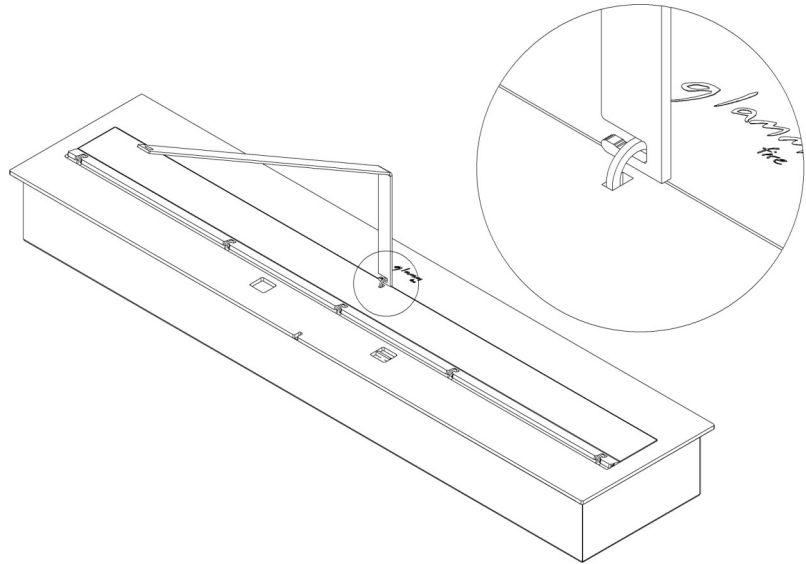
Tel(+351) 251 654 800  
Fax(+351) 251 654 801  
info@glammfire.com  
www.glammfire.com

*glamm*  
fire

GlammFire

# Burner V

Cover Opening



## GlammFire

Glammfire, Lda.  
Zona Industrial da Lagoa, Lote G1  
4950-850 CORTES - MONÇÃO  
PORTUGAL

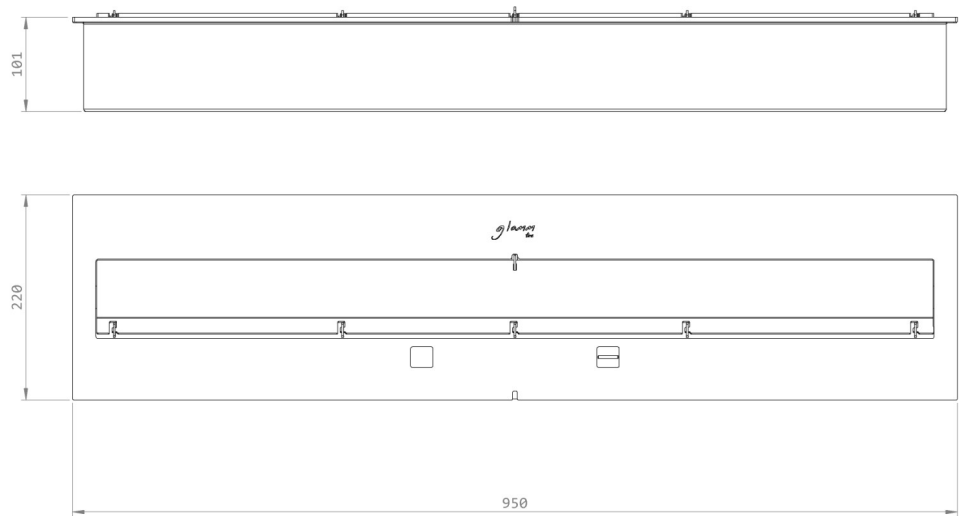
Tel(+351) 251 654 800  
Fax(+351) 251 654 801  
info@glammfire.com  
www.glammfire.com

*glamm*  
fire

GlammFire

# Burner V

Overall dimensions



GlammFire

Glammfire, Lda.  
Zona Industrial da Lagoa, Lote G1  
4950-850 CORTES - MONÇÃO  
PORTUGAL

Tel(+351) 251 654 800  
Fax(+351) 251 654 801  
info@glammfire.com  
www.glammfire.com

PT04174-G

*glamm*  
fire