

Crea7ionEPlus



Evolving the perfection of fire.

Technical Data Sheet

GlammBox Crea7ionEVO Plus

GlammBox Crea7ionEVO Plus

Why choosing Crea7ionEVO Plus:

- **Fire Line** - Linear and continuous fire line.
- **Combustion area**—Custom dimensions, from 400mm to 2400mm.
- **Safety** - Equipped with multiple safety sensors .
- **Display** - Provides a better user experience.
- **Language** - Language selection.
- **Remote Control**—Practical and functional.
- **Battery of Lithium**—Does not require electrical installation.
- **Tank** - Capacities: 3,5L, 5L, 7L, 10L and 15L;
- **Materials**—High-quality materials (Titanium and Stainless Steel). High durability.
- **Installation** -Even more compact dimensions.
- **Automatic filling system**—Automatic filling system, practical and clean.
- **Displaced automatic filling system**—Provides the comfort of an automatic supply distanced from the installation site.
- **Home Automation**—System equipped with the highest technology, with built-in home automation.



GlammBox Crea7ionEVO Plus

Crea7ionEVOPlus security:

- **Levelling Sensor** - The system turns off in case of unevenness or falling;
- **Leakage Sensor** - The system turns off if there is any leak or fuel/liquid spill;
- **Vibration Sensor** - The system turns off in case of accidental shock;
- **Tank Door Locking System** - The tank door locks while the system is running for user's safety;
- **Smothering the Combustion Fire Line** - The system turns off immediately if it is smothered by something;
- **Spillage on the Combustion Fire Line** - The system turns off if it detects an increase of liquids in the combustion line;
- **Overheating** - The system turns off if it detects an overheating that can arise from poor ventilation.



GlammBox Crea7ionEVO Plus



Finishings

Black laquered steel



Brushed Stainless Steel



GlammBox Crea7ionEVO Plus

Installation

Flammable materials

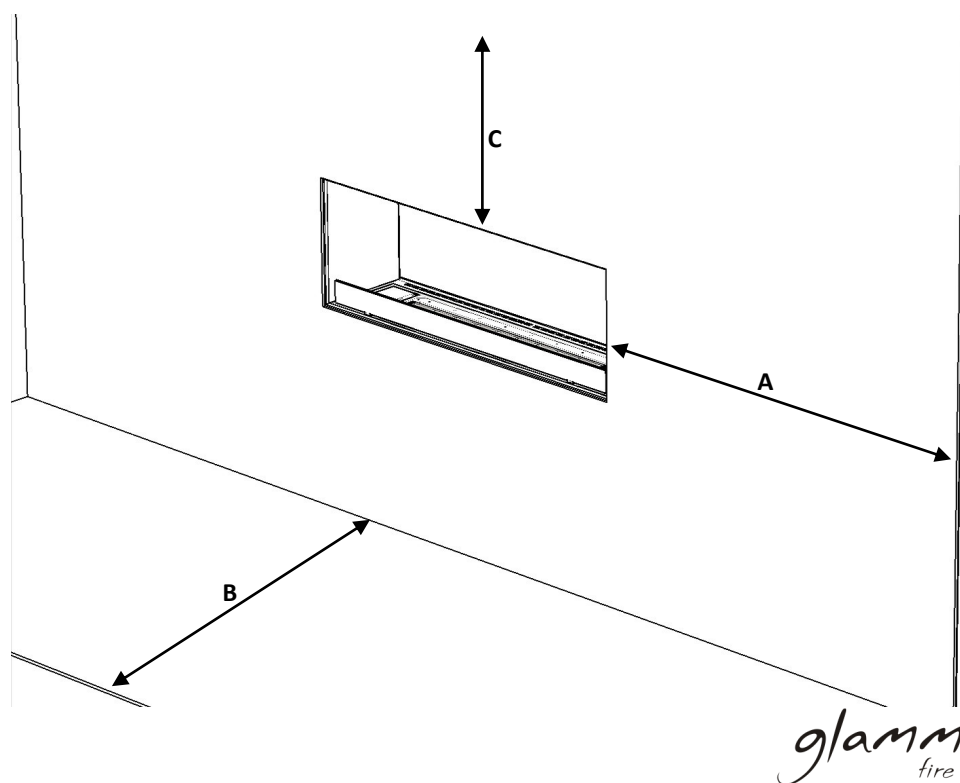
- . Do not place flammable materials near the fireplace, within 1m;
- . Racks or shelves should be distant 1m from the combustion fire line;

Materials: stone/metal/ceramics

- . A - 100 mm;
- . B - 100 mm;
- . C - 500 mm;

Other non-flammable materials

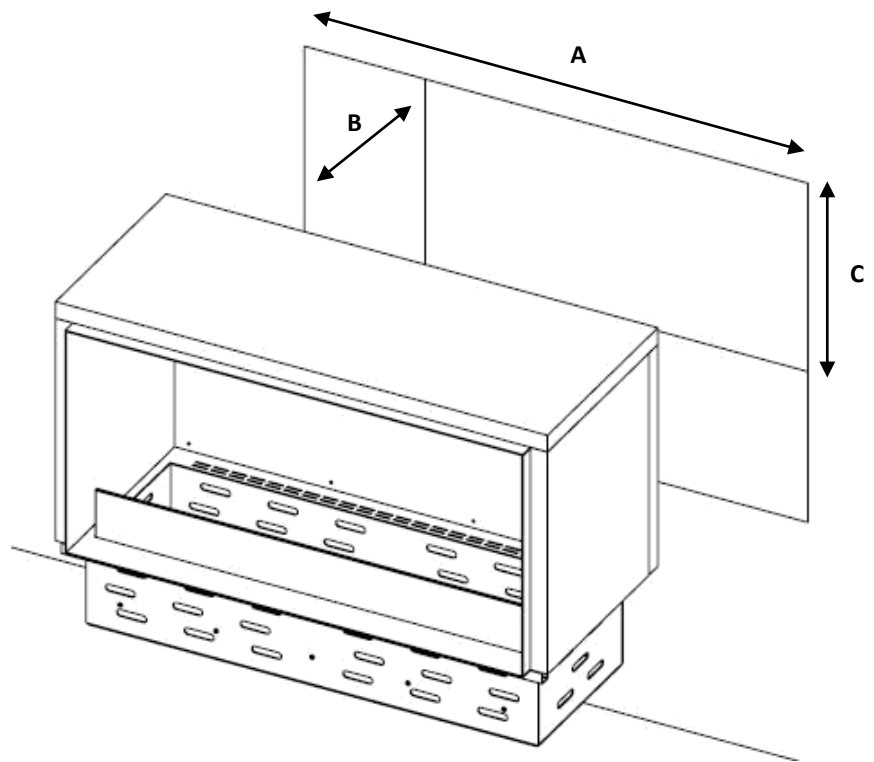
- . A - 200 mm;
- . B - 250 mm;
- . C - 600 mm;



GlammBox Crea7ionEVO Plus

Necessary dimensions for the built-in hole:

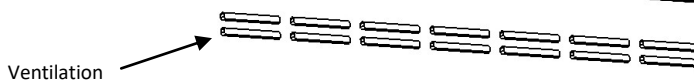
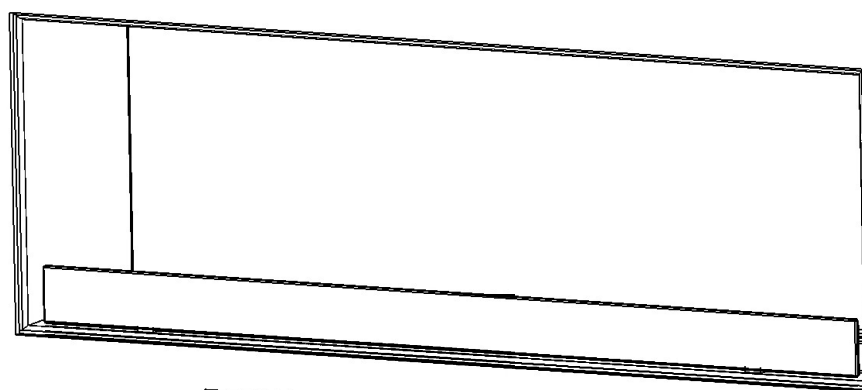
GB Crea7ionEVO Plus	Length (A)	Width (B)	Height (C)
800	884mm	402mm	605mm
800DF		367mm	
1000	1084mm	402mm	
1000DF		367mm	
1200	1284mm	402mm	607mm
1200DF		367mm	
1600	1686mm	403mm	
1600DF		367mm	
2000	2086mm	403mm	
2000DF		367mm	



GlammBox Crea7ionEVO Plus

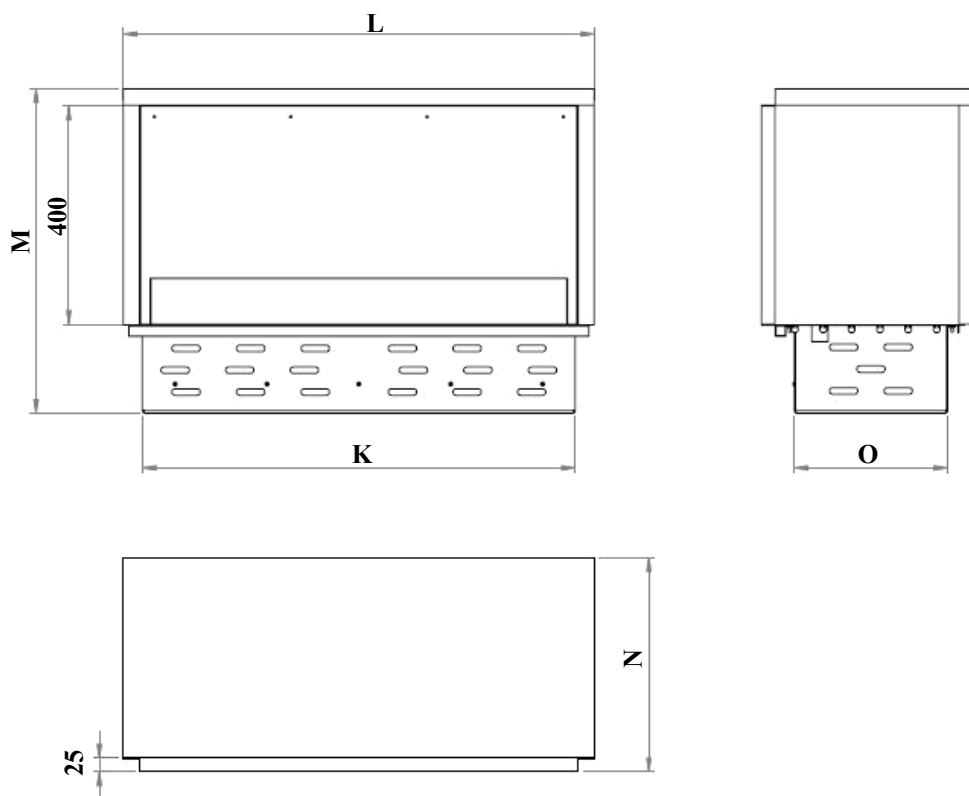
Required ventilation:

GlammBox Crea7ionEVO Plus	Ventilation area (G)
800	75cm ²
800DF	75cm ²
1000	115cm ²
1000DF	115cm ²
1200	150cm ²
1200DF	150cm ²
1600	225cm ²
1600DF	225cm ²
2000	300cm ²
2000DF	300cm ²



GlammBox Crea7ionEVO Plus

Overall Dimensions



Specifications

Glamm-Box Crea7ionEVO Plus	K (mm)	L (mm)	M (mm)	N (mm)	O(m m)	Power (kW)	Autonomy (Max Level (hours)	Autonomy (Min Level (hours)	Tank (l)	Weight (kg)	Recommended minimum area (m2)
800	800	864	595	392	297	2	7	10	3,5	59	15
800DF				417							
1000	1000	1064		392		3,4	6	8,5	5	66	21
1000DF				417							
1200	1200	1264	597	392		4,5	6	8	7	80	29
1200DF				417							
1600	1600	1666		393		6,75	6	9,5	10	120	44
1600DF											
2000	2000	2066	393	9		8	9,5	15	145	59	
2000DF											417