

Creation Plus



Evolving the perfection of fire.

Technical Data Sheet

Crea7ionEVO Plus Fire Round



Why choosing Crea7ionEVOPlus:

Fire Line—Linear and continuous fire line;

Safety—Equipped with multiple safety sensors;

Display—Provides a better user experience;

Language—Language selection;

Remote Control—Practical and functional;

Battery of Lithium—Autonomy of 25h. Able to use while charging;

Consumption—0,66 L/h (maximum) e 0.4 L/h (minimum);

Tank—Capacity: 10L;

Materials—High-quality materials (Titanium and Stainless Steel). High durability;

Installation—Even more compact dimensions;

Automatic filling system—Automatic filling system, practical and clean;

Displaced automatic filling system—Provides the comfort of an automatic supply distanced from the installation site;

Home automation—System equipped with the highest technology, with built-in home automation.

Crea7ionEVOPlus Fire



Crea7ionEVOPlus security:

Levelling Sensor - The system turns off in case of unevenness or falling;

Leakage Sensor - The system turns off if there is any leak or fuel/liquid spill;

Vibration Sensor - The system turns off in case of accidental shock;

Tank Door Locking System - The tank door locks while the system is running for user's safety;

Smothering the Combustion Fire Line - The system turns off immediately if it is smothered by something;

Spillage on the Combustion Fire Line - The system turns off if it detects an increase of liquids in the combustion line;

Overheating - The system turns off if it detects an overheating that can arise from poor ventilation.

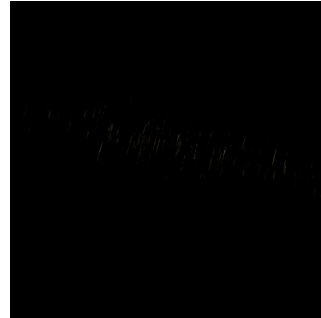
Crea7ionEVOPlus Fire Line

Finishings

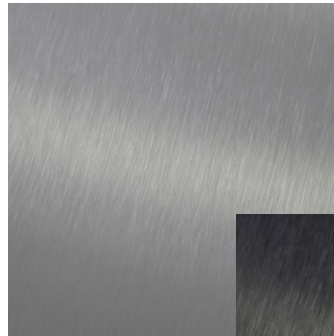
White Lacquered
Stainless Steel



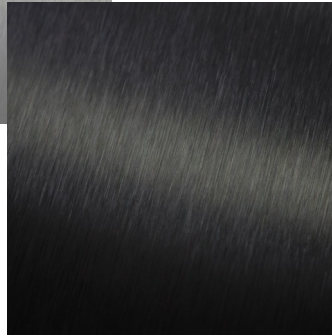
Black Lacquered
Stainless Steel



Brushed Stainless Steel



Black Titanium-coated
Brushed Stainless Steel



Polished Stainless Steel



Black Titanium-coated
Polished Stainless Steel
"Mirror"



Crea7ionEVOPlus Fire

Installation

Flammable Materials

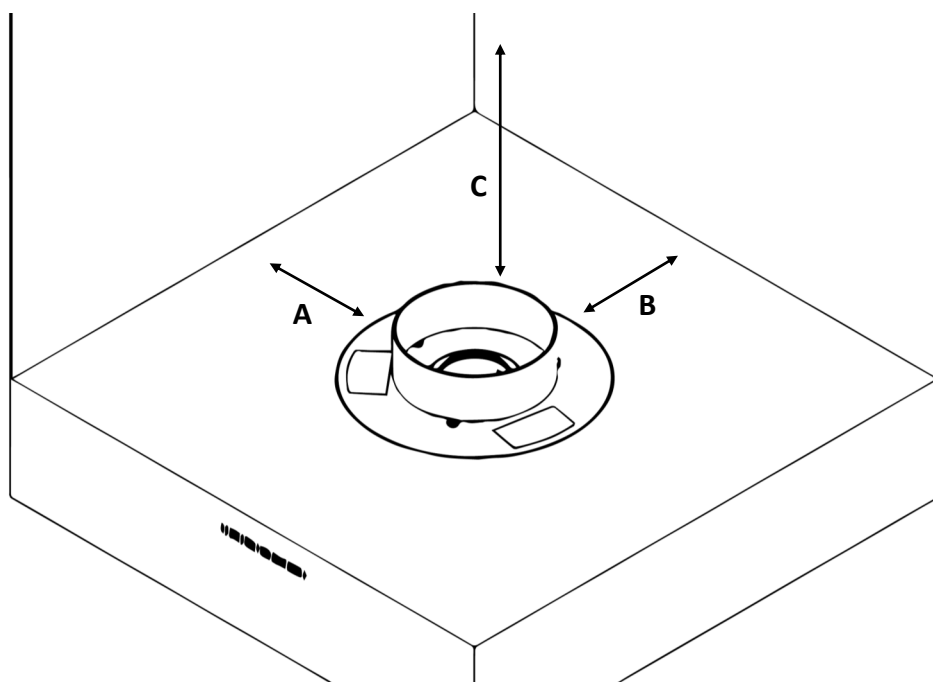
- . Do not place flammable materials near the fireplace within 1 m;
- . Racks or shelves should be distant 1 m from the combustion fire line.

Materials: stone/metal/ceramics

- . A - 100 mm;
- . B - 100 mm;
- . C - 500 mm;

Other non-flammable materials

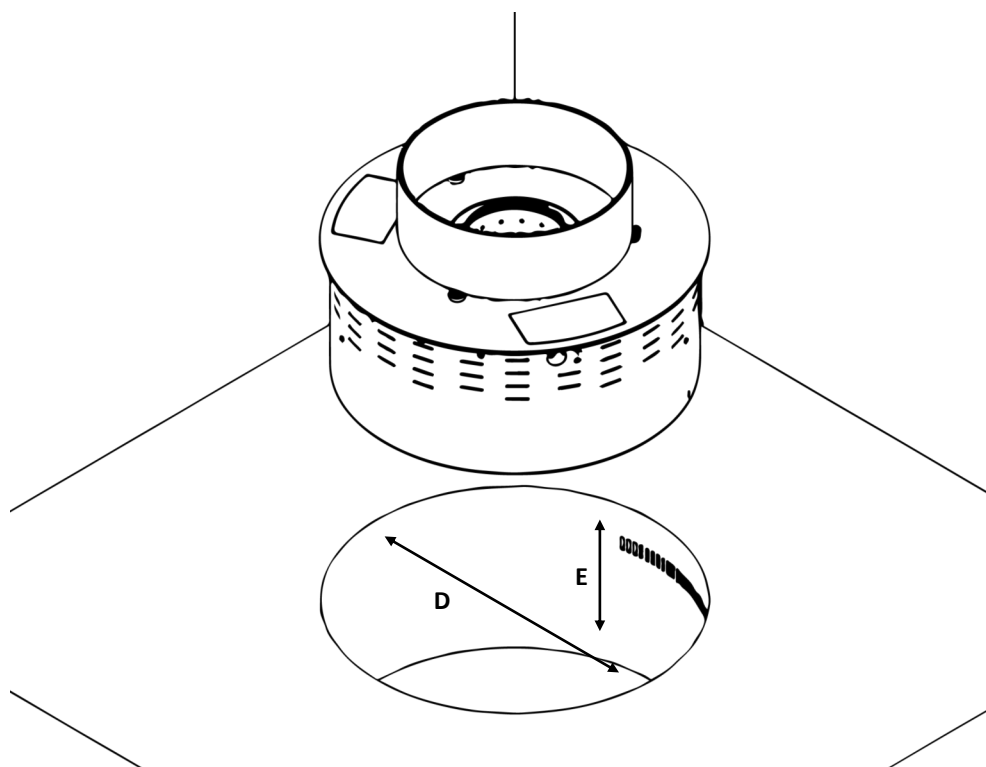
- . A - 200 mm;
- . B - 250 mm;
- . C - 600 mm;



Crea7ionEVO Plus Fire Round

Necessary dimensions for the built-in hole:

Crea7ionEvo Plus Fire Round	Diameter (D)	Height (E)
	480 mm	≥200mm



Crea7ionEVO Plus Fire

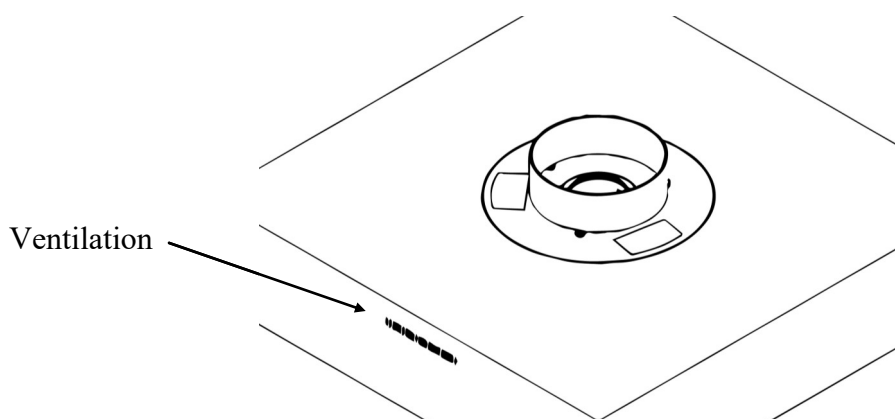
In case you want to place Crea7ionEvo Plus Fire Round on the top of a surface, in which it will be recessed, use the following measurements:

Note: In this case, Crea7ionEvo Plus Fire Round has to seat by its base.

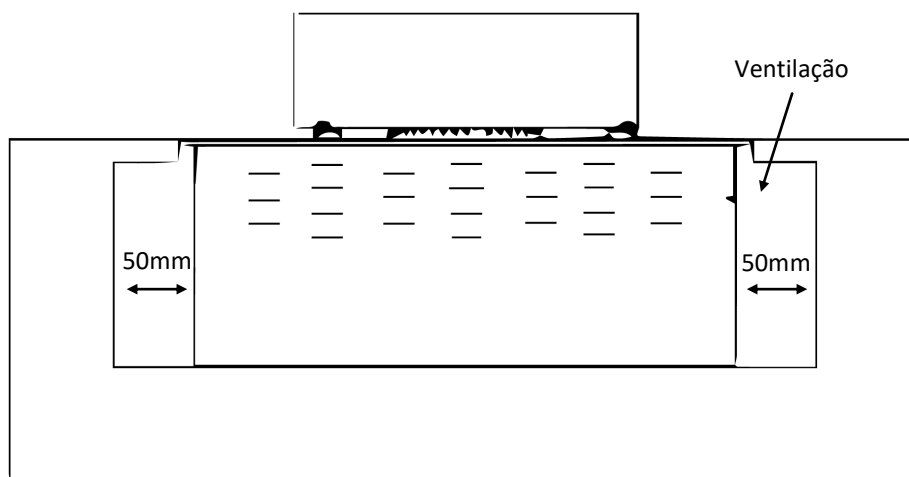
Crea7ionEvo Plus Fire Round	Diameter (D)	Height (E)
	505mm	200mm

Necessary ventilation:

Crea7ionEvo Plus Fire Round	Ventilation area (cm ²)
	75cm ²



- Ensure that there is a good ventilation (about **50mm**) around Crea7ionEVO Plus Fire Round, when inlaid:



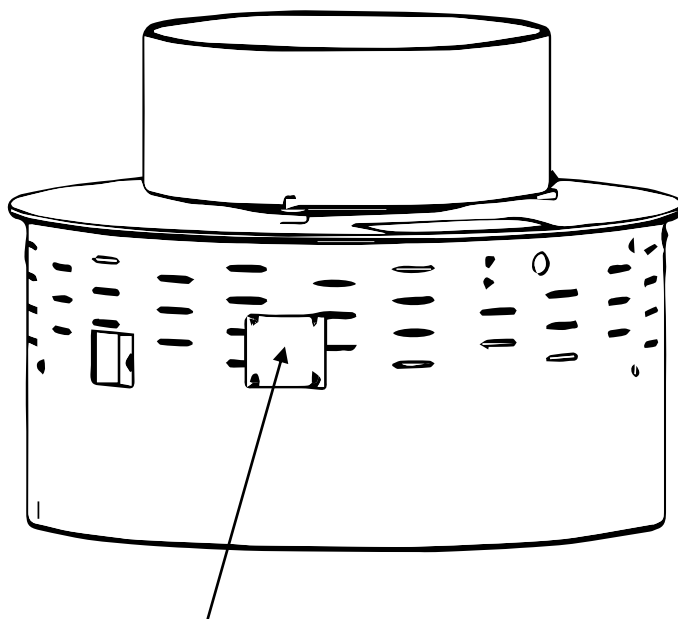
Crea7ionEVO Plus Fire

Home Automation

The Crea7ionEVO PLUS Fire Round is equipped with a plug intended for the home automation connection which must be carried out by a qualified technician.

This option allows the burner to be switched on or off through the system installed in the room.

Identification technical box home automation



Sealed technical box with plug for home automation

Crea7ionEVO Plus Fire

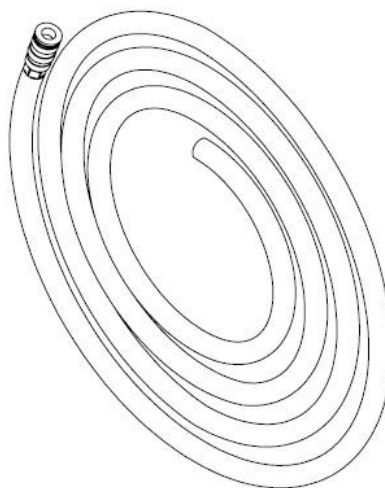
Displaced filling system (option)

Crea7ionEvoPlus has the local filling system.

This way you can opt for a displaced filling system.

Note: GlammFire recommends the use of a 20L tank.

Pipe for displaced filling system



Material supplied

- . Pipe 10m, 15m or 20m (hose);
- . Stopper for 20 litre tank;
- . Set of stoppers for 10 litre tank with silicone tube and stainless steel tip.

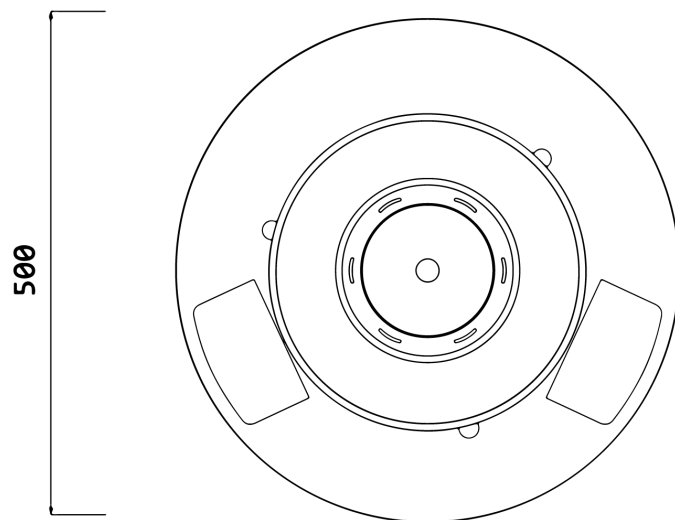
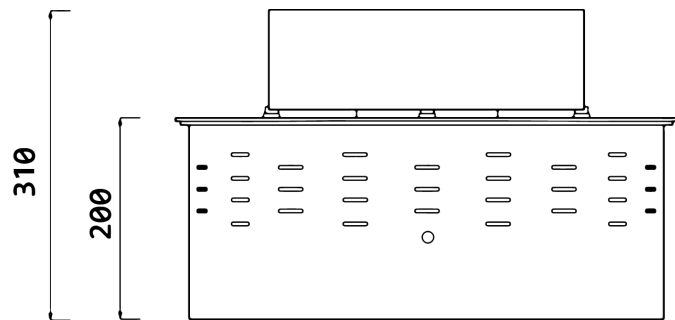
Crea7ionEVO Plus Fire Round

Specifications

Crea7ion Evo Plus Fire Round	Power (Kw)	Deposit period (Max. Level) (hours)	Deposit period (Min. Level.) (hours)	Battery life (hours)	Deposit (l)	Weight (kg)	Recommended minimum area (m2)
	2-4	15	25	30	10	40	14

Note: The "recommended minimum area" is considered for spaces with a height of 2.70m.

General Dimensions



Mesures in mm

