

GlamFire

Burner I

Material//

Burner I / stainless steel



Made of stainless steel, with a flame regulator and an overfill security system for better functioning.

According to our tests, in the medium position, it provides 6 hours of heat with only 2 litres of bioethanol.

Dimensions// 93 h x Ø292 mm

Weight// 4,4 kg

Accessories// Key, Lighter, Funnel, Container/measuring jug

Optional Accessories // Decorative ceramic wood, Decorative white marble stone, Bioethanol Jug (5 litres)

Packing Dimensions// 300 h x 600 w x 400 d mm

Total Weight// 6,94 kg

1 Kg/ Decorative ceramic wood

3 Kg/ Decorative white marble stone

4,3 Kg/ Bioethanol Jug (5 litres)

2 litres (liquid bioethanol)

Power// 2,70 kW

Burning time// Position min. 2 litres/ 6h

Position max. 2 litres/ 4h

GlamFire

Glamfire, Lda.
Zona Industrial da Lagoa, Lote G1
4950-850 CORTES - MONÇÃO
PORTUGAL

Tel(+351) 251 654 800
Fax(+351) 251 654 801
info@glamfire.com
www.glamfire.com

/CO detector included

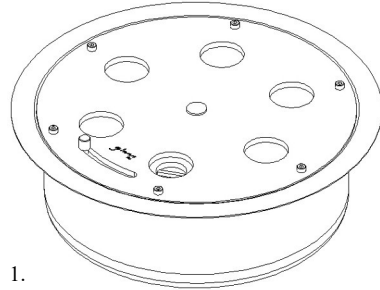
Fireplace with mechanical burner in accordance with German Norm DIN 4734

glam
fire

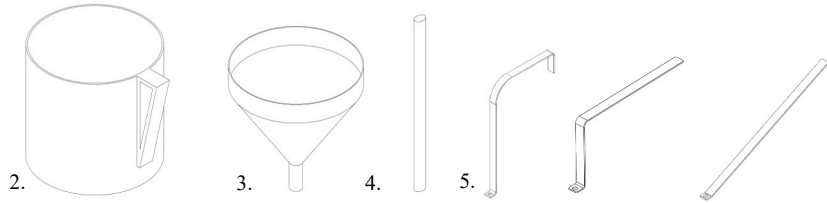
GlammFire

Burner I

Material Supplied

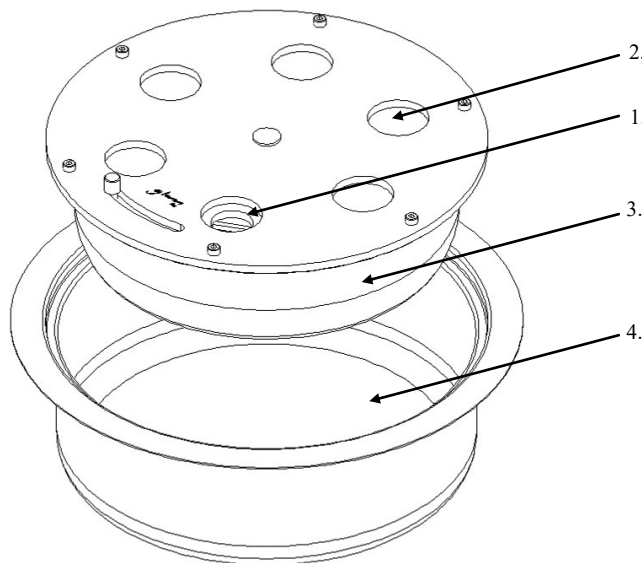


1. Burner III;
2. Mug;
3. Funnel;
4. Lighter;
5. One of the 3 Keys presented;



Components

1. Fuel cover;
2. Cover/Burning zone;
3. Tank;
4. Safety tank;



GlammFire

Glammfire, Lda.
Zona Industrial da Lagoa, Lote G1
4950-850 CORTES - MONÇÃO
PORTUGAL

Tel(+351) 251 654 800
Fax(+351) 251 654 801
info@glammfire.com
www.glammfire.com

glamm
fire

Burner I

Installation

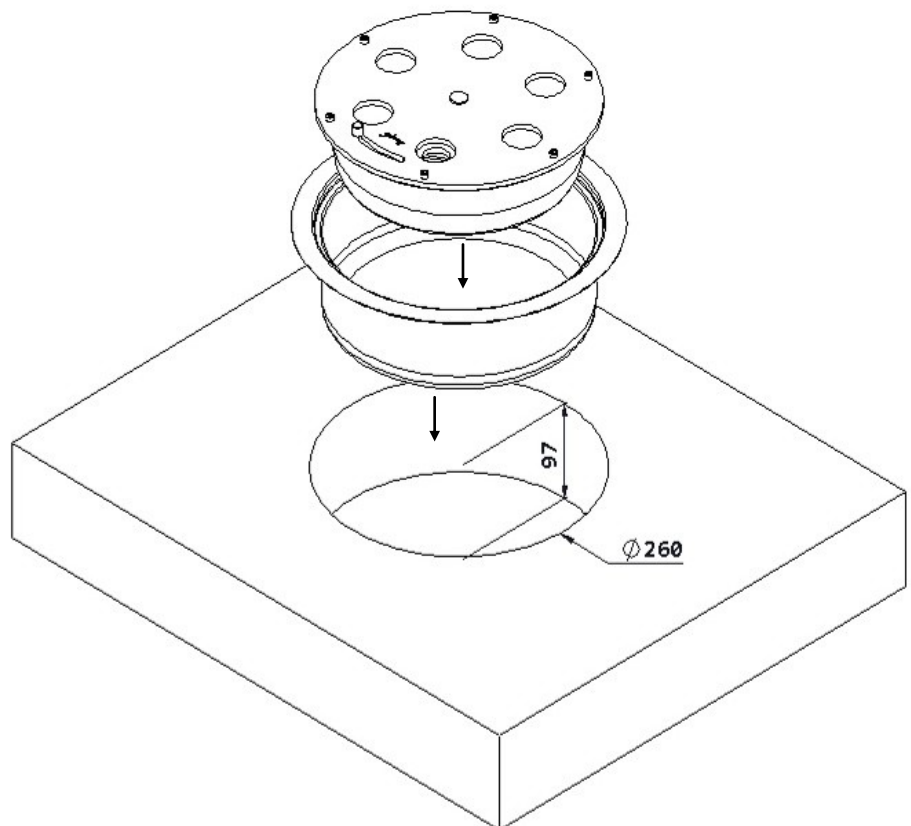
In order to ensure a safety margin with respect to the ground, it is recommended a minimum distance of 400 mm between the floor and the top of the burner;

The surface on you want to install the burner should be as level as possible.

Dimensions:

Ensure the hole where you want to place the burner has the following minimum dimensions, as shown in the figure below:

- Diameter: $\varnothing 260$ mm;
- Height : 97 mm;



GlamFire

Glamfire, Lda.
Zona Industrial da Lagoa, Lote G1
4950-850 CORTES - MONÇÃO
PORTUGAL

Tel(+351) 251 654 800
Fax(+351) 251 654 801
info@glamfire.com
www.glamfire.com

Burner I

Flammable materials

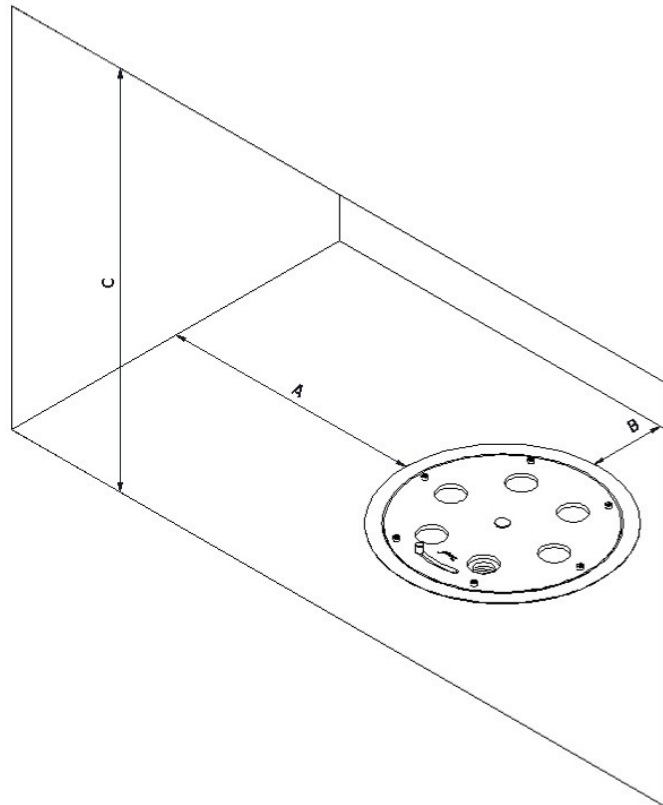
- Do not place flammable materials near the fireplace, within 1m;
- Racks or shelves should be distant:
 - From fireplaces: 500 mm;
 - From burners: 1 m;

Materials: stone/metal/ceramics

- A - 150 mm;
- B - 100 mm;
- C - 500 mm;

Other non-flammable materials

- A - 200 mm;
- B - 250 mm;
- C - 600 mm;



GlamFire

Glamfire, Lda.
Zona Industrial da Lagoa, Lote G1
4950-850 CORTES - MONÇÃO
PORTUGAL

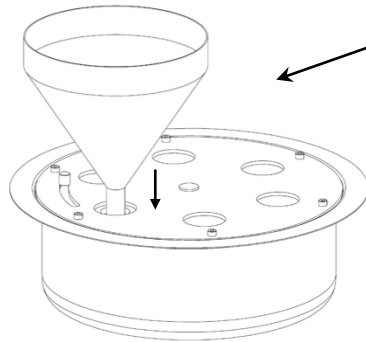
Tel(+351) 251 654 800
Fax(+351) 251 654 801
info@glamfire.com
www.glamfire.com

GlamFire

Burner I

Utilization

Fuel Filling



To filling the burner you have to push down the feeder. Then you have a small opening to put bioethanol. When you finish the process let it go and the feeder closed.

This system is completely safety because only allows insert fuel when the flame goes off.

Light/Off

After the filling you must open the cover and fan the flame with the light or with the key (moisten the key in the bioethanol and fan the fire with the lighter).

To turn off the burner move the cover with the help of the key.



Regulation flame

After the filling you must open the cover and fan the flame with the light or with the key (moisten the key in the bioethanol and fan the fire with the lighter)

To turn off the burner move the cover with the help of the key.

ADVICES:

- If the flame doesn't erase at first time, repeat the process but with more energy.
- It is advisable to leave the cover ajar to avoid the condensation of gases released.

GlamFire

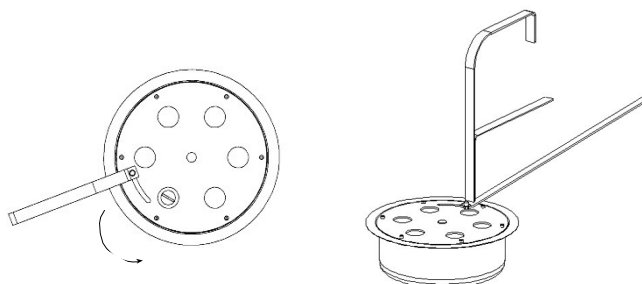
Glamfire, Lda.
Zona Industrial da Lagoa, Lote G1
4950-850 CORTES - MONÇÃO
PORTUGAL

Tel(+351) 251 654 800
Fax(+351) 251 654 801
info@glamfire.com
www.glamfire.com

glam
fire

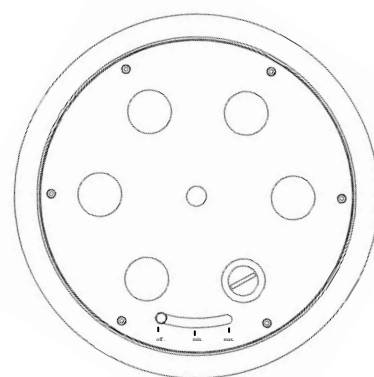
GlammFire

Burner I

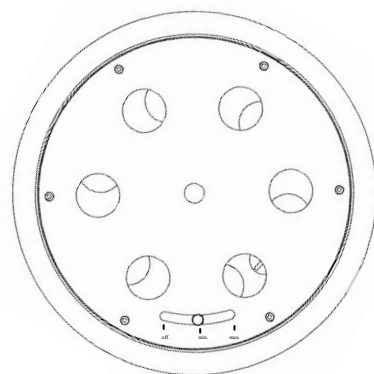


To regulate the flame of your burner you must with the help of the key move to the desired position.

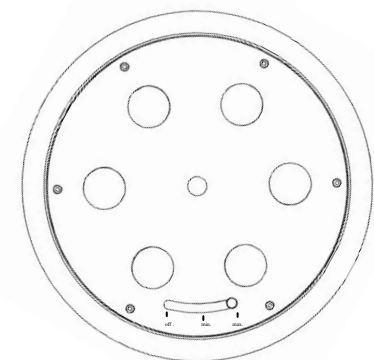
1 - Off position
Off burner;



2 - Min. Position
In that position it provides 6 hours of heat with only 2 litres of bioethanol;



3 - Max. position
High consumption. In that position it provides 4 hours of heat with 2 litres of bioethanol.



GlammFire

Glammfire, Lda.
Zona Industrial da Lagoa, Lote G1
4950-850 CORTES - MONÇÃO
PORTUGAL

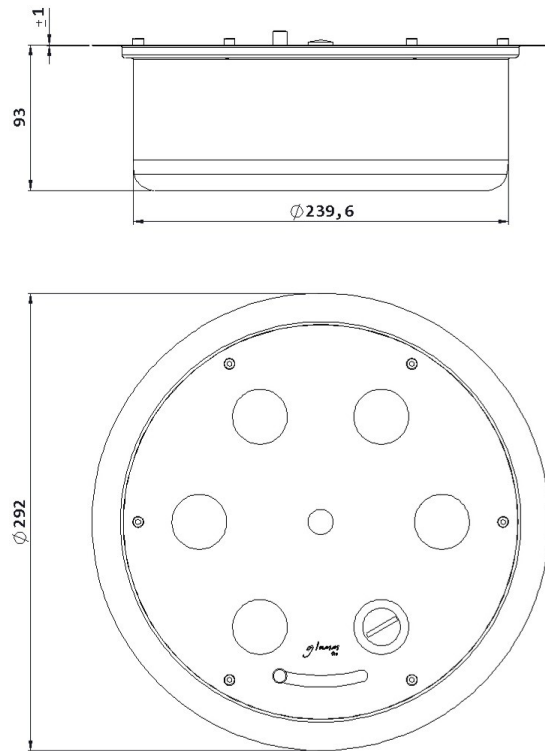
Tel(+351) 251 654 800
Fax(+351) 251 654 801
info@glammfire.com
www.glammfire.com

glamm
fire

GlammFire

Burner I

Overall dimensions



GlammFire

Glammfire, Lda.
Zona Industrial da Lagoa, Lote G1
4950-850 CORTES - MONÇÃO
PORTUGAL

Tel(+351) 251 654 800
Fax(+351) 251 654 801
info@glammfire.com
www.glammfire.com

glamm
fire

PT02843-C