

GlammFire

Burners Burner II



Fully made from stainless steel, our bioethanol burners have a contemporary design and outstanding manufacturing quality. The resistance and safety of the materials reinforce their excellent versatility as pieces of high functional and decorative nature. They are more and more becoming part of projects by architects and interior designers.

GlammFire

Glammfire, Lda.
Zona Industrial da Lagoa, Lote G1
Rua da Suíça, nº213 4950-850
MONÇÃO - PORTUGAL

Tel(+351) 251 654 800
Fax(+351) 251 654 801
info@glammfire.com
www.glammfire.com

glamm
fire

GlammFire

Burners Burner II

Burner II / stainless steel



Dimensions// 86 h x 367 w x 227 d mm

Weight// 6,5 kg

Accessories// Key, Lighter, Funnel, Container/measuring jug.

Optional Accessories // Support II + Glass and Protection cover

Tank// 2L or 1,5L with ceramic

Power// 3,4 kW

Burning time// Position med. 2 litres/ 6h

Position max. 2 litres/ 3h:30

GlammFire

Glammfire, Lda.
Zona Industrial da Lagoa, Lote G1
Rua da Suíça, nº213 4950-850
MONÇÃO - PORTUGAL

Tel(+351) 251 654 800
Fax(+351) 251 654 801
info@glammfire.com
www.glammfire.com

glamm
fire

Burners Burner II

Installation

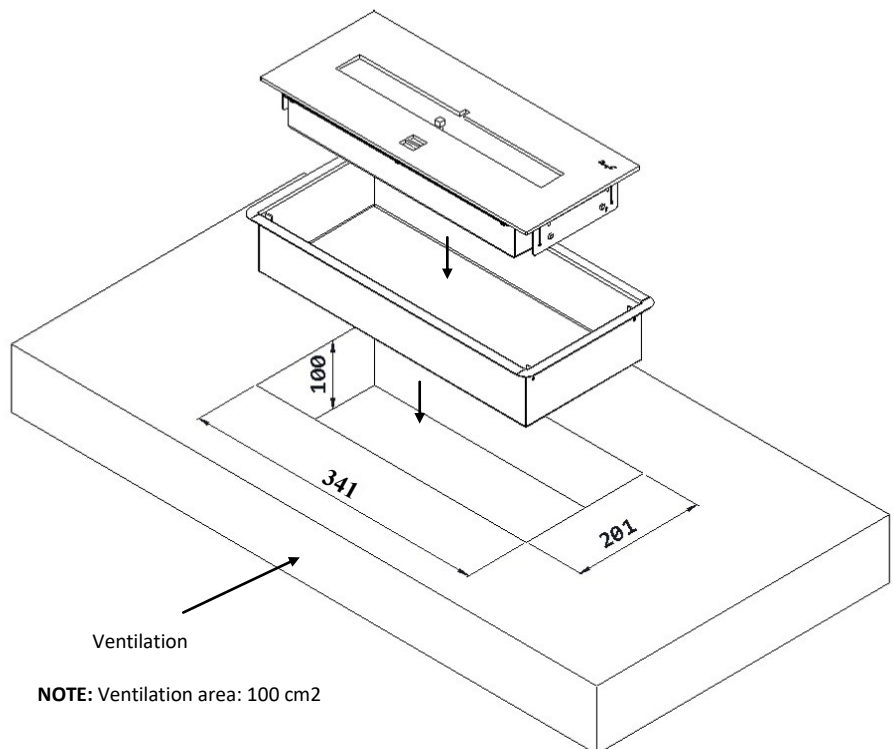
In order to ensure a safety margin with respect to the ground, it is recommended a minimum distance of 400 mm between the floor and the top of the burner;

The surface on you want to install the burner should be as level as possible.

Dimensions:

Ensure the hole where you want to place the burner has the following minimum dimensions, as shown in the figure below:

- Length: 341 mm;
- Width: 201 mm;
- Depth: 100 mm;



GlammFire

Glammfire, Lda.
Zona Industrial da Lagoa, Lote G1
Rua da Suíça, nº213 4950-850
MONÇÃO - PORTUGAL

Tel(+351) 251 654 800
Fax(+351) 251 654 801
info@glammfire.com
www.glammfire.com

Burners

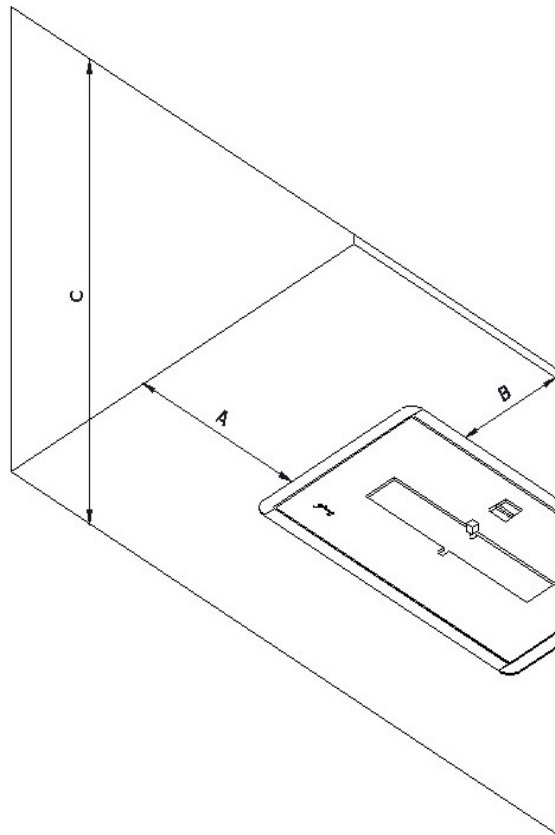
Burner II

Flammable materials

- Do not place flammable materials near the fireplace, within 1m;
- Racks or shelves should be distant:
 - From fireplaces: 500 mm;
 - From burners: 1 m;

Materials: stone/metal/ceramics

- A - 150 mm;
- B - 100 mm;
- C - 500 mm;



GlammFire

Glammfire, Lda.
Zona Industrial da Lagoa, Lote G1
Rua da Suíça, nº213 4950-850
MONÇÃO - PORTUGAL

Tel(+351) 251 654 800
Fax(+351) 251 654 801
info@glammfire.com
www.glammfire.com

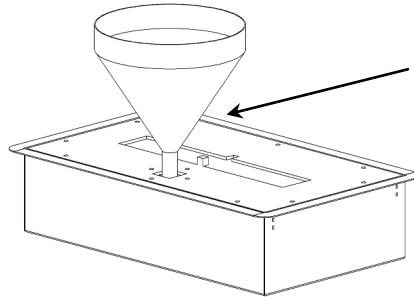
GlammFire

Burners

Burner II

Utilization

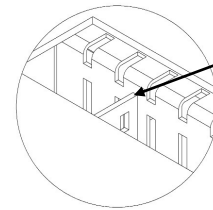
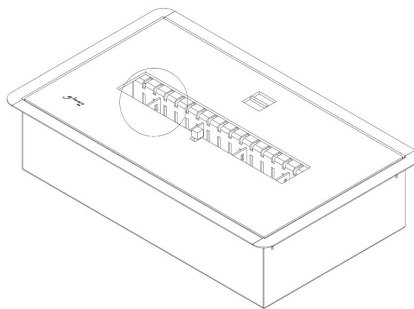
Fuel Filling



To filling the burner you have to push down the fuel cover. Then you have a small opening to put bioethanol. When you finish the process let it go and the fuel cover closed.

This system is completely safety because only allows insert fuel when the flame goes off.

Advisable maximum filling



Bioethanol:
M a x i m u m
level

We advise to all users to fill the burner only to the bars mark (like you can see in the picture) Its capacity is define to support 2 litres.

Light/Off

After the filling you must open the cover and fan the flame with the light or with the key (moisten the key in the bioethanol and fan the fire with the lighter).

To turn off the burner move the cover with the help of the key.

ADVICES:

- If the flame doesn't erase at first time, repeat the process but with more energy.
- It is advisable to leave the lid ajar to avoid the condensation of gases released.

GlammFire

Glammfire, Lda.
Zona Industrial da Lagoa, Lote G1
Rua da Suíça, nº213 4950-850
MONÇÃO - PORTUGAL

Tel(+351) 251 654 800
Fax(+351) 251 654 801
info@glammfire.com
www.glammfire.com

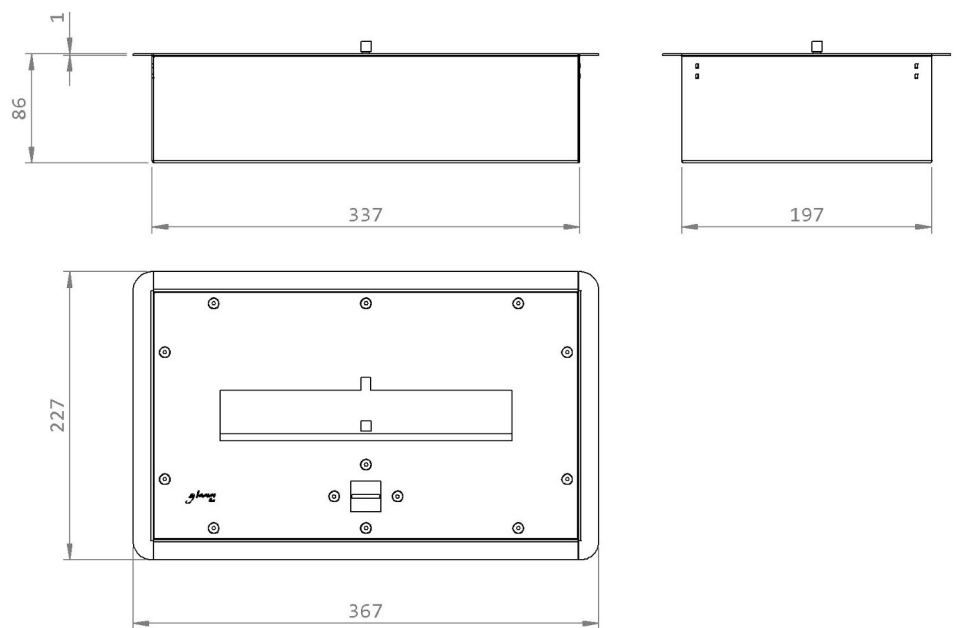


glamm[®]
fire

GlammFire

Burners Burner II

Overall Dimensions



GlammFire

Glammfire, Lda.
Zona Industrial da Lagoa, Lote G1
Rua da Suíça, nº213 4950-850
MONÇÃO - PORTUGAL

Tel(+351) 251 654 800
Fax(+351) 251 654 801
info@glammfire.com
www.glammfire.com

PT02842-G

glamm
fire